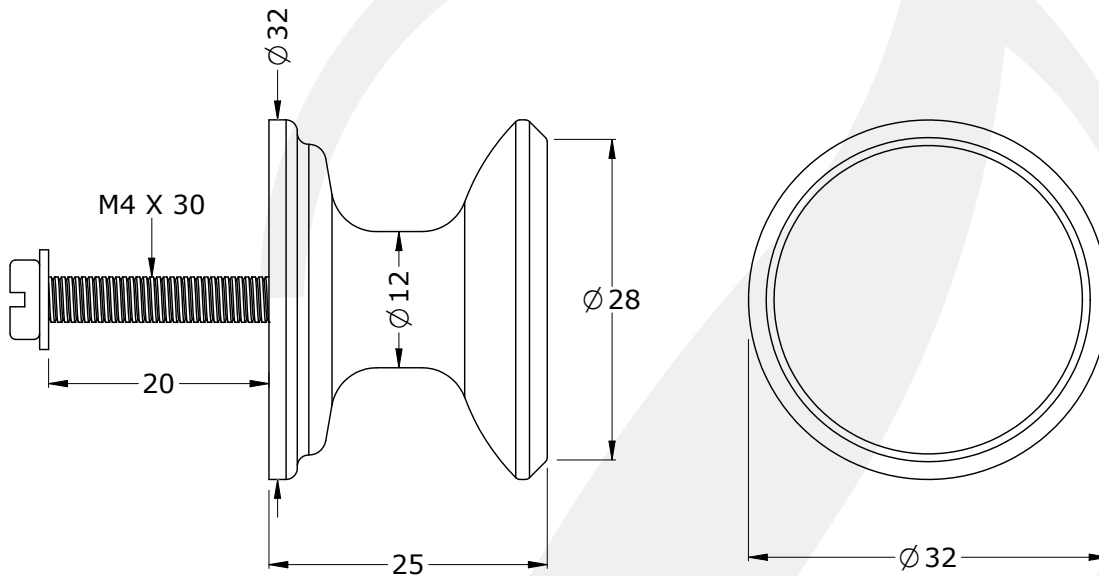


• SPECIFICATION •

• 6090 - TRADITIONAL LARGE CONCAVE DRAWER HANDLE

- MANUFACTURED IN THE UK
- SUPPLIED WITH SCREW FIXING KIT
(M4 X 30 PANHEAD STAINLESS STEEL SCREW X 10)
(M4 STAINLESS STEEL WASHER X 10)
- COMPLIMENTS PERRIN AND ROWE TAP STYLING



AVAILABLE FINISHES:

- CHROME
- NICKEL
- PEWTER
- POLISHED BRASS
- SATIN BRASS
- AGED BRASS
- GOLD
- ENGLISH BRONZE

PACKED WEIGHT:
0.776 KG [10 BOXED]

UNIT WEIGHT:
0.061 KG

ALL UNITS IN mm
UNLESS OTHERWISE
STATED