

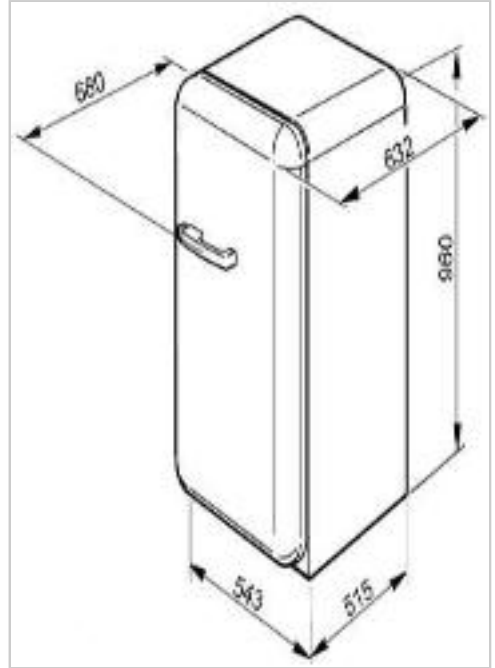


Tel : 0843 351 2802 Fax : 0800 317693
Email : sales@swiftuk.co.uk



FAB10 Retro Fridge with Ice Box : R Right Hand Hinge : L Left Hand Hinge Smeg

Pastel Blue (AZ) . Blue (BL) . Black (NE) . Orange (O) . Cream (P) . Red (R) . Pink (RO) . Pastel Green (V)
Lime Green (VE) . Silver (X)



Energy : A+
Fridge capacity : 101 litres
Freezer capacity : 13 litres
Energy consumption: 169 Kw/h per year
Freezing capacity : 2kg / 24h
Thaw time: 10h

Refrigerator
Automatic defrost
2 adjustable glass shelves
1 fruit and vegetable drawer

Ice Box 4*
Manual defrost
Ice cube tray

A gap of 175 mm must be left on the hinged side of the product to allow the door to open

Guarantee : 1 Year parts and labour

Service : Tel - 0844 557 9907
Fax - 0844 815 0706
www.smeg-service.co.uk

Whilst every effort has been made to ensure that all descriptions are correct, this should not be regarded as an infallible guide, nor as an offer for sale of any particular product